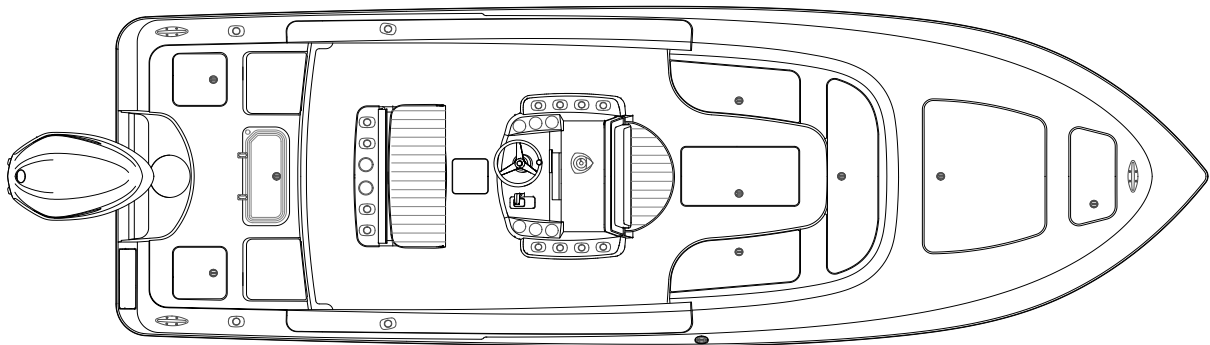
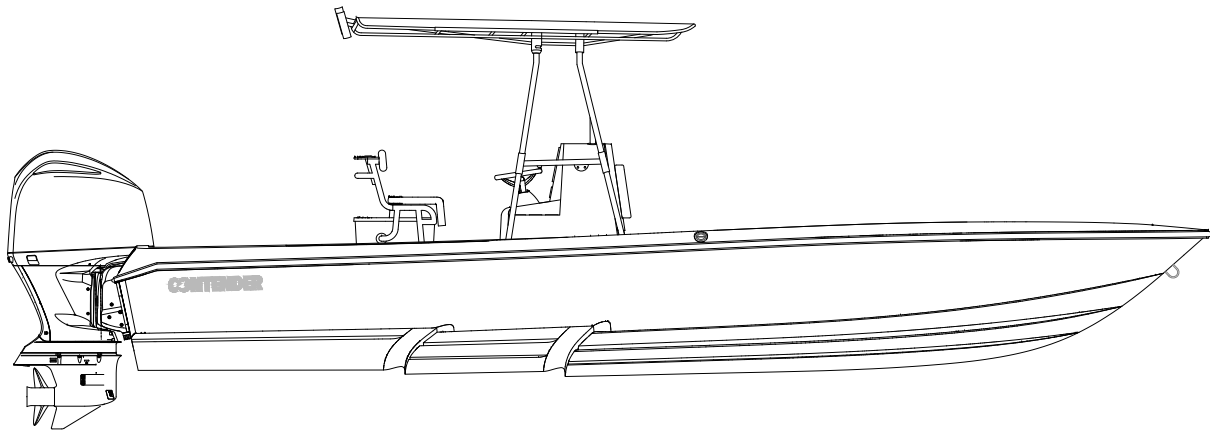


25 Bay Boat

Specifications:

LOA:	25'4"
Beam:	8'6"
Draft:	12"
Deadrise (transom):	15.5°
Weight (ready to fish w/F300:)	3,200 lbs
Fuel Capacity:	90 Gallons
Max HP Rating:	350



Features:

Hull and Deck

Hand-Laid Fiberglass throughout using multi-directional fabric
Foam cored molded structural grid
Self-Bailing Cockpit
Non-skid Cockpit Sole and Casting Decks
Heavy-Duty Rub Rail
Choice of hull and deck colors
Hand-painted Boot and Pin Stripe

Cockpit Sole and Casting Decks Compartments

Anchor locker with molded in anchor storage
340 quart dry storage with additional battery storage
180 quart fully lined and insulated in-floor fish box
40 gallon livewell
12 ½ gallon baitwell
170 quart insulated cooler
Two rod locker stowage compartments

Console

Forward seat with built-in storage
Flush mount electronics panel

Leaning Post

Under-seat dry storage
160 quart insulated cooler

Mechanical

Hydraulic Steering w/ Custom Steering Wheel
Custom recessed high-performance Lenco trim tabs
Waterproof Switches & Breaker Panel w/ indicator lights
2000 GPH Auto/Manual Bilge Pump
Compass

Hardware

Chrome on Bronze or Stainless Steel Hardware
Two flush-folding aft deck jump seats
Heavy Duty Recessed Bow Lifting Ring w/cleat (pop-up)
Two heavy-duty stern lifting rings
Two 8" stern cleats
Four flush mount gunnel rod holders
Six under-gunnel rod racks